



Glenview Systems, Inc.

1919 Pickwick Avenue • Glenview, IL 60025-1388 • USA
Tel: (847) 724-2691 • Fax: (847) 724-1713 • e-mail: info@glensys.com

*Additional Attendant Transmitter Power Connections for IGT DC Payout Hopper**

It may be necessary to install a 12-pin "Y"-cable adapter (Fig 1) onto the payout hopper controller to supply power to the Attendant® transmitter, when:

a) J121 is not available on the standard controller (12-pin version required, Fig. 1).

- 1) Unplug cable leading from quick disconnect to payout hopper controller (Fig 2).
- 2) Plug this cable into the appropriate connector on the Y-cable adaptor.
- 3) Plug appropriate Y-cable adaptor connector onto controller (Fig 3).
- 4) Plug Attendant® transmitter connector into the remaining 2-pin Y-cable adaptor connector.
- 5) Position cable on payout hopper to prevent accidental disconnection or damage.

Fig. 2

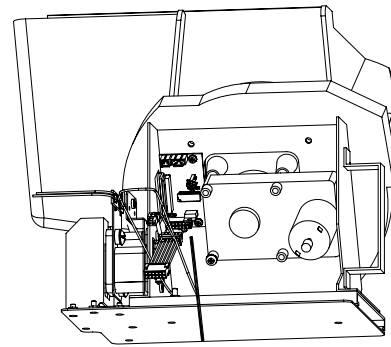


Fig. 1

12 Pin IGT "Y" Adapter,
Transmitter Power
GSI Part No. 11120

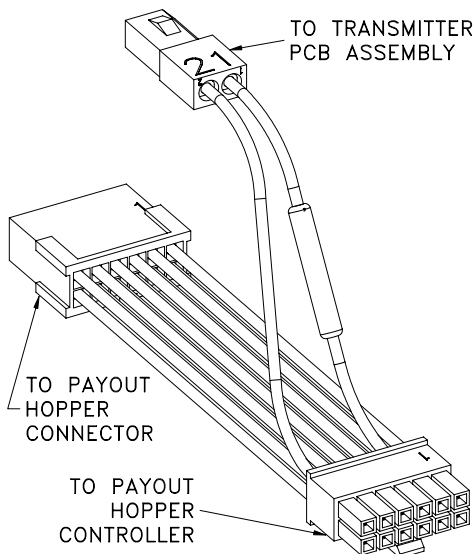
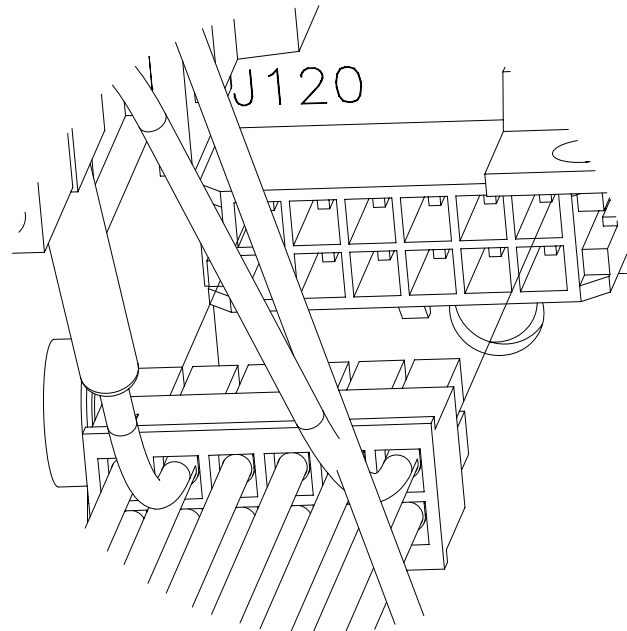


Fig. 3



* Depending on Each Individual Slot Machine Configuration. Sold Separately. Customer Should Specify Needed Quantities when Ordering Attendant.